



50Hz VENTILATION SOLUTIONS



NUAIRE. FOR THE COMPLETE VENTILATION SOLUTION



WITH A RECORD OF QUALITY WHICH IS THE ENVY OF THE INDUSTRY...

...Nuaire is a British company with a long history of innovation in the field of ventilation and air movement solutions, and its products are known across the world for their superb quality and efficiency.

Founded in 1966, Nuaire has a long and much-admired heritage in developing and manufacturing ventilation products. A product range renowned worldwide, coupled with unrivalled customer service which has ensured that Nuaire's products have been distributed globally, including the Middle East, Europe, the USA and Asia.





CAR PARK INDUCTION FANS SVTC & SVTC8

Car park ventilation induction fan systems are used to control and remove pollutants such as carbon monoxide on a day to day basis, whilst ensuring in an emergency situation smoke is removed quickly and efficiently to aid in the safe evacuation of individuals.

Nuaire offer **50N** and **95N** thrust both in **50/60Hz** models.



KEY BENEFITS:

- ▶ **LOW DEPTH**
- ▶ **COST SAVING - ELIMINATES NEED FOR DUCTWORK**
- ▶ **TESTED TO EN12101-3**
- ▶ **LARGE COVERAGE MEANS FEWER FANS**
- ▶ **ISO 13350:2015**





CONSULTANTS SPECIFICATION



CASING

The complete units are of flush design to ensure no dust/debris build up, and suits most applications with a low profile. The case is made from galvanised steel (additional finishes are available).



MOTOR

Motors are totally enclosed and protected to IP55 with Class H insulation. Motors are available as either 2 speed or for inverter speed control, to work on a day to day basis and once off in an emergency situation.



CERTIFICATION AND OPERATING TEMPERATURE

Complete units are tested to BS EN12101-3.

- F300°C/2
- F400°C/2



IMPELLER

The impeller is a high efficiency backward curved centrifugal type manufactured from galvanised steel.



INSTALLATION

The units are designed for flush mounting ceiling installation and may only be fitted at the side brackets with certified anchoring bolts. Units are low profile to suit the majority of car park design constraints.

- SVTC-50- 227mm
- SVTC-100- 282mm



PERFORMANCE

The units are available in 4 thrust options:

- 95N
- 95/24N
- 50N
- 50/12N



AIRFLOW

Inlet guards are fitted for safety purposes and to prevent debris from entering the fan. The unit is fitted with a specifically designed airflow deflector to direct the jet stream from the fan at the required angle sufficient to overcome the natural buoyancy effect of the smoke.



SYSTEM DESIGN

Nuaire's induction fans SVTC & SVTC8 are typically used as part of a car park ventilation system to control and remove pollutants such as carbon monoxide and in case of a fire emergency. An induction system saves costs due to the elimination of ductwork. The induction fans are strategically distributed throughout the car park in accordance with Nuaire's specialist design.



ANCILLARIES

- Thermistors
- Pre-wired isolators
- Isolators
- Anti-condensation motor heaters

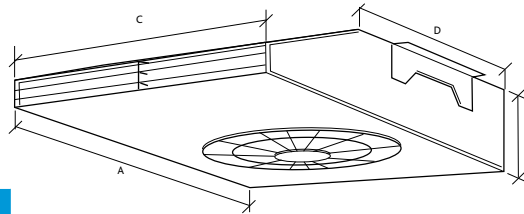
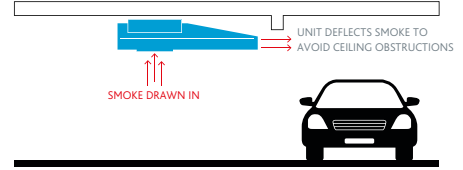


APPLICATIONS

Certified for use with sprinkler systems, contact Nuaire for additional information.



CAR PARK INDUCTION FANS SVTC & SVTC8



DIMENSIONS (MM) AND WEIGHT (KG)

MODEL	A	B	C	D	WEIGHT
SVTC-50	1265	230	790	710	100
SVTC-100	1900	282	1150	1150	195

CODING SVTC8-50T8

SVT	C8	50	T8
1	2	3	4

SVTC8-50T8G

1. SVTC - Axis induction range
2. 8 - 400°C/2, no suffix - 300°C/2
3. 50 - Case size/performance range
4. T8 - Two speed 4/8 pole

400°C/2 - 50N

TECHNICAL AND PERFORMANCE DATA

FAN REFERENCE	50Hz	
	SVTC8-50	SVTC8-50T8
Thrust Newtons: Full/Half Speed	50	50/12
Airflow m³/s: Full/Half Speed	1.7	1.7/0.85
Motor Kw: Full/Half Speed	1.1	1.2/0.3
Protection Class	IP55	IP55
Insulation	H	H
Electrical Supply	400/3/50	400/3/50
Motor FLC amps: Full/Half Speed	2.92	3.21/1.37
Motor SC amps: DOL Full/Half Speed	16.35	16/4.11
Speed RPM: Half/Full Speed	1435	1430/705
Sound dBA @1m: Full/Half Speed	81	81/68
Material Finish*	Galv Steel	Galv Steel

400°C/2 - 95N

TECHNICAL AND PERFORMANCE DATA

FAN REFERENCE	50Hz	
	SVTC8-100	SVTC8-100T8
Thrust Newtons: Full/Half Speed	95	95/24
Airflow m³/s: Full/Half Speed	2.69	2.69/1.83
Motor Kw: Full/Half Speed	2.2	2.2/0.55
Protection Class	IP55	IP55
Insulation	H	H
Electrical Supply	400/3/50	400/3/50
Motor FLC amps: Full/Half Speed	5.8	6.03/2.26
Motor SC amps: DOL Full/Half Speed	30.16	30.2/7.23
Speed RPM: Half/Full Speed	1435	1435/715
Sound dBA @1m: Full/Half Speed	82	82/68
Material Finish*	Galv Steel	Galv Steel

*Other finishes available upon request

300°C/2 - 50N

TECHNICAL AND PERFORMANCE DATA

FAN REFERENCE	50Hz	
	SVTC-50	SVTC-50T8
Thrust Newtons: Full/Half Speed	50	50/12
Airflow m ³ /s: Full/Half Speed	1.7	1.7/0.85
Motor Kw: Full/Half Speed	1.1	1.2/0.3
Protection Class	IP55	IP55
Insulation	H	H
Electrical Supply	400/3/50	400/3/50
Motor FLC amps: Full/Half Speed	2.92	3.21/1.37
Motor SC amps: DOL Full/Half Speed	16.35	16/4.11
Speed RPM: Half/Full Speed	1435	1430/705
Sound dBA @1m: Full/Half Speed	84	84/68
Material Finish*	Galv Steel	Galv Steel

300°C/2 - 95N

TECHNICAL AND PERFORMANCE DATA

FAN REFERENCE	50Hz	
	SVTC-100	SVTC-100T8
Thrust Newtons: Full/Half Speed	95	95/24
Airflow m ³ /s: Full/Half Speed	2.69	2.69/1.83
Motor Kw: Full/Half Speed	2.2	2.2/0.55
Protection Class	IP55	IP55
Insulation	H	H
Electrical Supply	400/3/50	400/3/50
Motor FLC amps: Full/Half Speed	5.8	6.03/2.26
Motor SC amps: DOL Full/Half Speed	30.16	30.2/7.23
Speed RPM: Half/Full Speed	1435	1435/715
Sound dBA @1m: Full/Half Speed	85	85/68
Material Finish*	Galv Steel	Galv Steel

*Other finishes available upon request

IMPULSE FAN CONFIGURATION

This range is composed of our high temperature Axial fans in a Impulse Fan Configuration (IFC).

The key benefits of this range are the virtually limitless choice of thrust values available, as well as many other configurable options to suit each project.

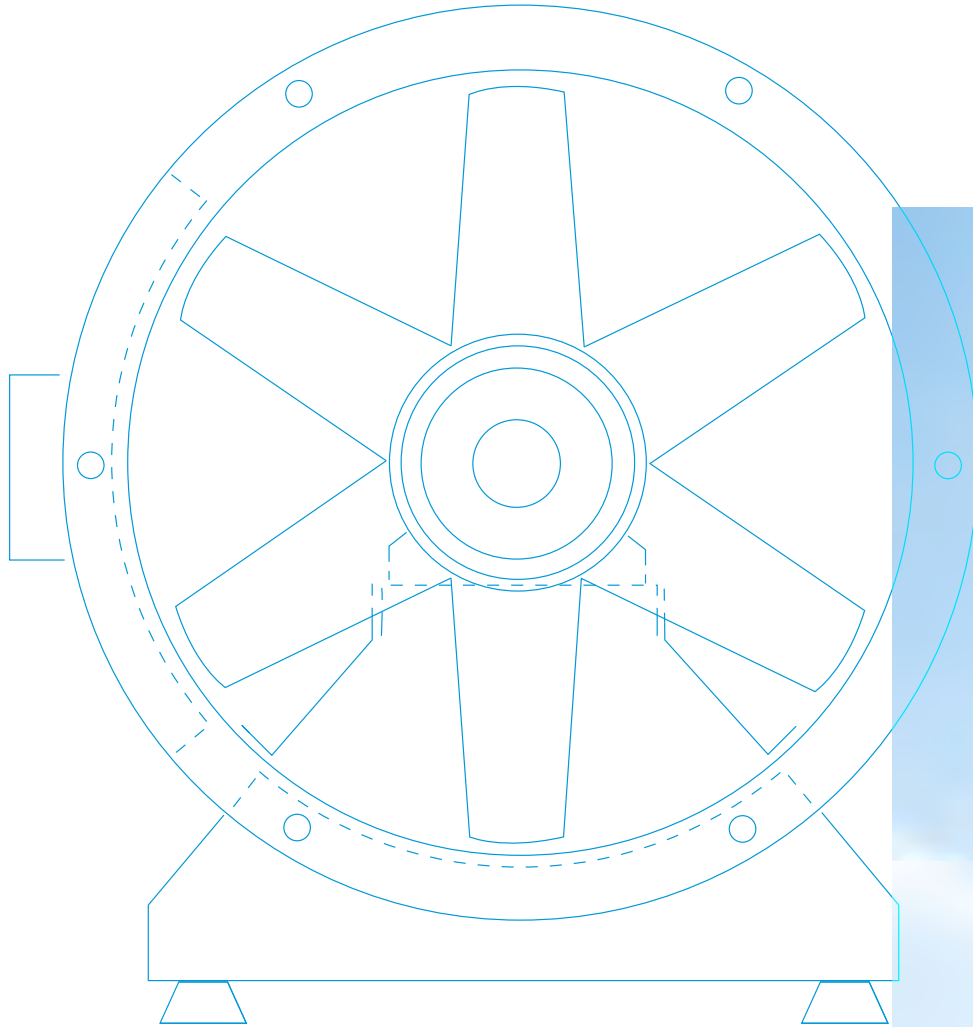
Nuaire's axial fan configurator software includes a thrust calculator that enables selection of impulse fans from 10N up to 1300N thrust, and everything in between. Fans can alternatively be selected to achieve a specific airflow.

There is a large variety of parameters available enabling the customer to fix diameter/kW and add paint finish or a higher efficiency motor. Fans are available with smoke rating F300 or F400.

Ancillaries, such as silencers and guards, are included to mimic an impulse fan (site assembly required).

The IFC range is typically used to meet thrust parameters, that are not available within our standard jet fan range. Contact Nuaire for additional details.





NUAIRE. FOR THE COMPLETE VENTILATION SOLUTION

T +44(0)29 2085 8484 E INTERNATIONAL@NUAIRE.CO.UK W NUAIREGROUP.COM [@NUAIREGROUP](https://twitter.com/NUAIREGROUP)

August 2018.

